



EPON OLT SFP Transceiver

Product Features

- SC BIDI SFP Single Mode Transceiver
- Compliant with SFP MSA and SFF-8472
- Hot-pluggabl
- Single +3.3 Power Supply
- Complies with Telcordia (Bellcore) GR-468-CORE
- 1490nm Continuous Mode Transmitter and 1310nm Burst Mode APD-TIA Receiver
- Typical data rate 1.25 Gbps, Maximal reach 20km
- Comply with China Telecom EPON equipment technical requirement V2.1 1000BASE-PX20+

Product Applications

- GEAPON OLT For P2MP Application

General

The AS60-PE43204-CPSS transceiver with supports data rate of typical 1.25 Gbps for GEAPON OLT application up to 20km transmission distance, it's designed meeting with China Telecom EPON equipment technical requirement V2.1 1000BASE-PX20+ specifications. SCreceptacle is for optical interface.

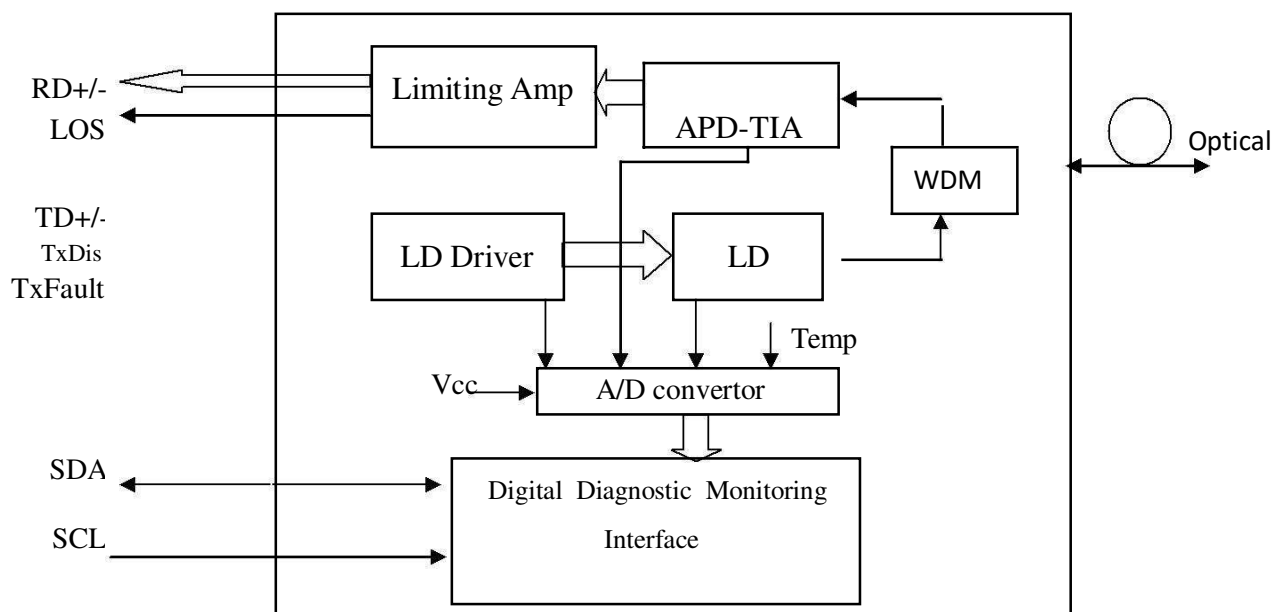


Fig 1 Transceiver Block Diagram



The module provides digital diagnostic information of its operating conditions and status, including transmitting power, laser bias, receiver input optical power, module temperature, and supply voltage. Calibration and alarm/warning threshold data are written and stored in internal memory (EEPROM). The memory map is compatible with SFF-8472, as shown in Fig. 2. The diagnostic data are raw A/D values and must be converted to real world units using calibration constants stored in EEPROM locations 56 – 95 in A2h.

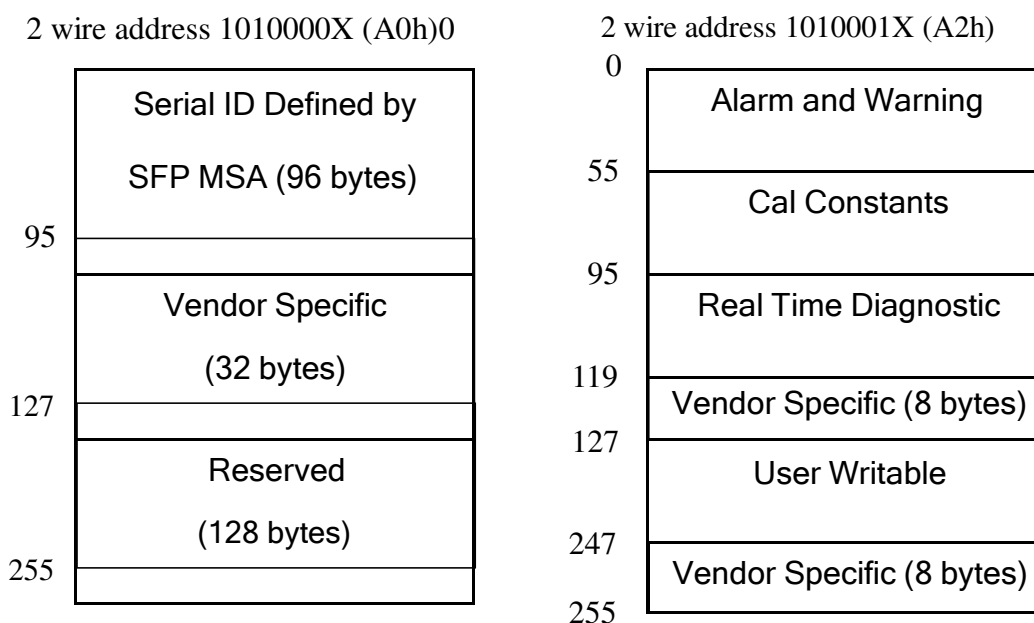


Fig 2 EEPROM Information

Performance Specifications

Absolute Maximum Ratings						
Parameter	Symbol	Min.	Max.	Unit	Note	
Storage Temperature	Tst	-40	+85	°C		
Operating Case Temperature	Tc	0	70	°C		
Input Voltage	-	GND	Vcc	V		
Power Supply Voltage	Vcc-Vee	-0.5	+3.6	V		
Recommended Operating Conditions						
Parameter	Symbol	Min.	Typical	Max.	Unit	Note
Power Supply Voltage	Vcc	3.135	3.3	3.465	V	
Operating Case Temperature	Tc	0	-	70	°C	
Data Rate	DR	-	1.25	-	Gbps	
Total Supply Current	-	-	-	400	mA	
Damage Threshold For Receiver	-	-	-	4	dBm	

**NETS**

ООО «Новые Сети»
Проектирование сетей, поставка оборудования,
оптимизация и поддержка IT-инфраструктуры.
<https://newnets.ru>

Optical Specification						
Transmitter						
Parameter	Symbol	Min.	Typ.	Max.	Unit	Note
Optical Central Wavelength	λ	1480	1490	1500	nm	-
Spectral Width (-20dB)	$\Delta\lambda$	-	-	1	nm	-
Side Mode Suppression Ratio	SMSR	30	-	-	dB	-
Average Optical Output Power	P_o	+3.5	+5	+7	dBm	
		+5	+7	+8		
Extinction Ratio	E_r	9	-	-	dB	-
Rise/Fall Time	T_r/T_f	-	-	260	ps	-
Transmitter Total Jitter	J_{p-p}	-	-	344	ps	
Transmitter Reflectance	RFL	-	-	-12	dB	
Average Launched Power of Off Transmitter	P_{off}	-	-	-39	dBm	-
Differential Input Voltage	V_{IN-DIF}	300	-	1600	mV	-
Tx Disable Input Voltage-Low	V_{IL}	0	-	0.8	V	-
Tx Disable Input Voltage-High	V_{IH}	2.0	-	V_{CC}	V	-
Output Eye	Compliant with IEEE 802.3ah-2004					
Receiver						
Parameter	Symbol	Min.	Typ.	Max.	Unit	Note
Operate Wavelength	-	1280	1310	1340	nm	-
Sensitivity	P_r	-	-	-30	dBm	1
Saturation	P_s	-6	-	-	dBm	1
LOS assert Level	-	-45	-	-	dBm	-
LOS De-Assert Level	-	-	-	-30	dBm	-
LOS Hysteresis	-	0.5	-	5	dB	-
Receiver Optical Reflectance	-	-	-	-12	dB	-
Data Output Low	V_{ol}	-2	-	-1.58	V	-



EEPROM Information

Alarm and Warning Thresholds (Serial ID A2H)

Parameter(Unit)	C Temp (°C)	Voltage (V)	Bias (mA)	TX Power (dBm)	RX Power (dBm)
High Alarm	100	3.6	90	+8	-6
Low Alarm	-10	3	0	+5	-30
High Warning	95	3.5	70	+7.5	-7
Low Warning	0	3.1	0	+6	-29

Digital Diagnostic Monitor Accuracy

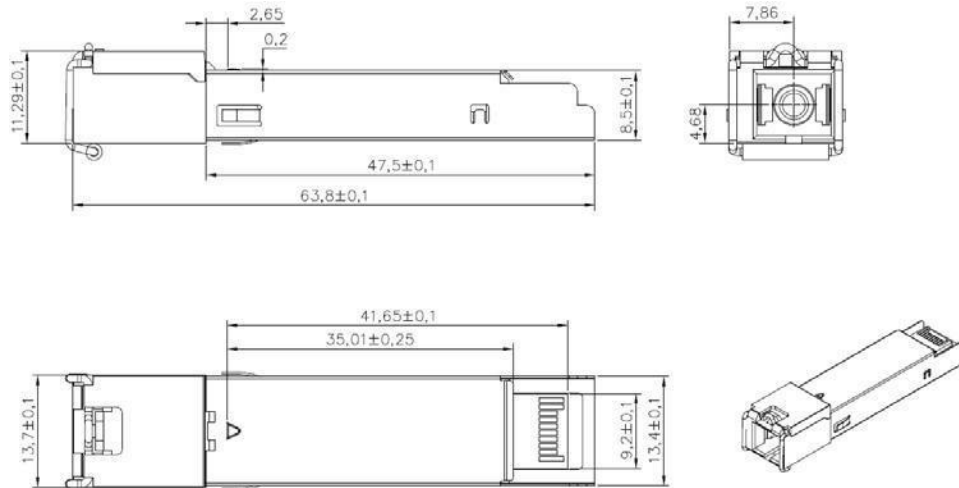
Parameter	Unit	Accuracy	Range	Calibration
Tx Optical Power	dB	± 3	Po: -Pomin~Pomax dBm, Recommended operation conditions	External/Internal
Rx Optical Power	dB	± 3	Pi: Ps~Pr dBm, Recommended operation conditions	External/Internal
Bias Current	%	± 10	Id: 1-100mA, Recommended operating conditions	External/Internal
Power Supply Voltage	%	± 3	Recommended operating conditions	External/Internal
Internal Temperature	°C	± 3	Recommended operating conditions	External/Internal



NETS

ООО «Новые Сети»
Проектирование сетей, поставка оборудования,
оптимизация и поддержка IT-инфраструктуры.
<https://newnets.ru>

Package Diagram



Ordering information:

Ordering P/Ns	Description
NS-GSFP-PX20++	EPON OLT PX20++, 20km, TX 1490nm 1.244Gbps, RX 1310nm 1.244Gbps, minimum optical output power 5db, SFP form-factor, SC/UPC Receptacle connector, 0~70°C
NS-GSFP-PX20+++	EPON OLT PX20+++ , 20km, TX 1490nm 1.244Gbps, RX 1310nm 1.244Gbps, minimum optical output power 7db, SFP form-factor, SC/UPC Receptacle connector, 0~70°C